

DOLKPL1KB

Exterior, Stand Alone Keypad



FEATURES

- Vandal Resistant
- Weatherproof
- 2 Relays
- Metal Back-lit Keys
- Surface or Gooseneck Mount
- 1000 Memory on 1st relay;
100 Memory on 2nd
- 4-8 Digit Pins
- Latching or Momentary Pulse



SPECIFICATIONS

IP Rating	IP-66 (NEMA 4X) All weather
Dry Contact	50mA/24VDC
Temperature Rating	-40° F to 158° F
Humidity	5-95% relative humidity, non-condensing
Dimensions	6-1/8"(H) x 4"(W) x 2"(D) inches
Weight	2.2 lbs
Housing	Anodized steel, powder paint coating outer box and plastic inner box
Face Plate Material	1/16 inch stainless steel
Operating Voltage	12-24VDC; auto adjusting
Operating Current	40mA (quiescent) to 100mA (3 relays active)

**Also available with a Proximity Feature*



2480 South 3850 West, Suite B
Salt Lake City, UT 84120
(866) 975-0101 • (866) 975-0404 fax
www.transmittersolutions.com

All items are trademarks of their respective holders.

To have your fax number removed from future specials, please call Removal Services - 800-915-2571 ext. 47540 or fax to 866-975-0404.

DOLKPL1KB • DOLKPS1KB DOLKSF1KB

USER MANUAL

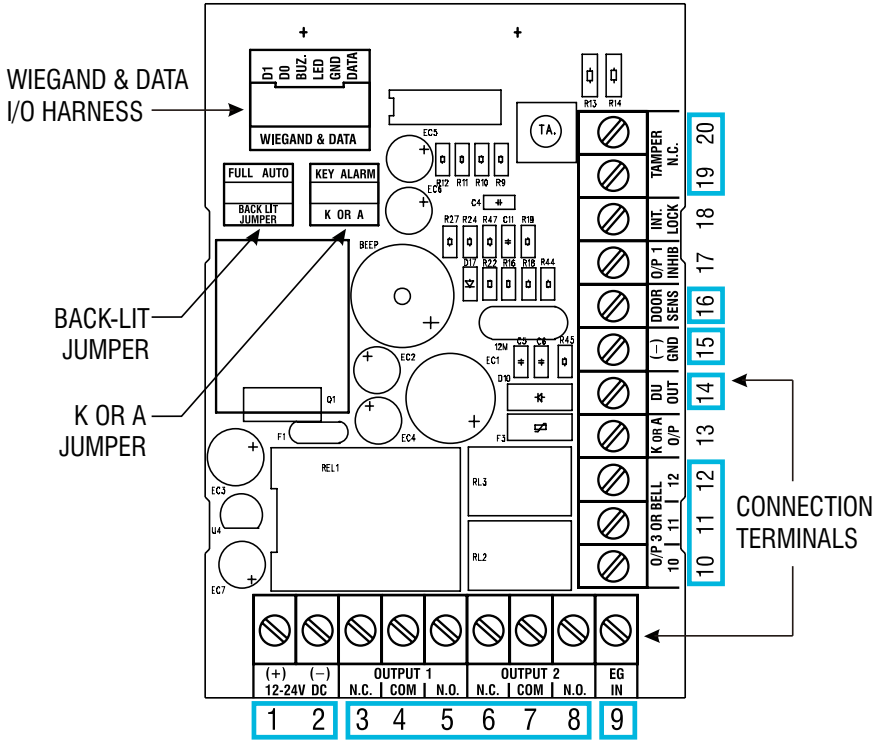


- 1] Connection Terminals
- 2] Basic Wiring Example
- 3] Quick Start Guide
- 4] Programming Guide
- 5] Specifications



1 Connection Terminals

The DOLKPS1KB/DOLKPS1KB/DOLKSF1KB is a secure and waterproof keypad with three relay outputs. It works independently as a stand-alone keypad.

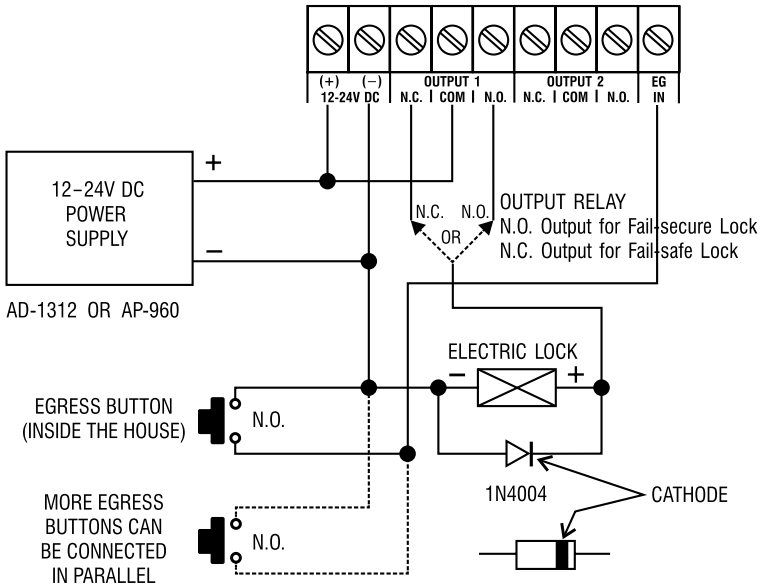


- **1-2 12-24V DC (Power Input Terminal)**
- **3-8 OUTPUT 1 and OUTPUT 2 (Output Relay 1 and 2)**
 - N.C. (Normally closed)
 - COM (Common ground)
 - N.O. (Normally open)
- **9 EG IN (Egress Input)**
 - The optional EG. IN terminal is (-) and commonly connected to buttons. Buttons that are connected to EG. IN will grant access when pressed.
- **10-12 O/P 3 OR BELL (Output Relay 3)**
 - 10 (Normally closed)
 - 11 (Common ground)
 - 12 (Normally open)

- **14 DU OUT (Duress Output)**
 - When a Duress Code is entered, the DU OUT will switch to ground. Ex. It may be used to turn on a light, camera, or buzzer. It may also be used to trigger an alarm for a security system.
- **15 (-) GND (Common Ground)**
- **16 DOOR SENS N.C. (Door Position Sensing Input - Normally Closed)**
 - DOOR SENS must be connecting to ground if not used. This feature can be connected to a normally closed device (ex. A magnet) to sense a door's status (being opened or closed). With DOOR SENS connected, the following features are possible:
 - Door Auto Re-lock
 - The system will immediately lock after a door/gate has been opened and closed.
 - Door Forced Open Warning
 - The system will signal a warning and trigger Alarm Output once the door is forced open without a valid access code or egress button. The warning signal lasts as long as programmed. Entering an output 1 code will deactivate the warning signal.
 - Open Door Warning
 - The door will signal a warning if the door is left open for longer than the programmed time.
 - Open Door Alarm
 - Open Door Alarm is designed for the emergency door. When the door is opened without a valid access code or egress button, the alarm will trigger. The warning signal lasts as long as programmed.
- **19-20 TAMPER N.C. (Tamper Switch Normally Closed Contact)**
 - Normally closed while the keypad is secured on its box. It is open when keypad is separated from its box. Connect this to an alarm system if necessary.
 - DOOR SENS must be connecting to ground if not used.
 - LED Indicators
 - Red - This becomes a solid color when Access Lock is activated. It is also the Wiegand LED in reader mode
 - Yellow - It flashes on Standby. The Yellow LED also indicates the system's status in synchronization with the tones.
 - Red/Green - It lights up Green for Output 1 activation; and Red for Output 2 activation.

2 Basic Wiring Example

Basic wiring of a stand-alone door lock



NOTE:

- Connect 1N4004 as close as possible to the lock parallel with the lock power terminals to absorb the back EMF and prevent keypad damage. The 1N4004 is not required for AC power.
- To avoid electrostatic discharge from interfering with the keypad, always ground the terminal.
- Always connect DOOR SENS to ground.

3 Quick Start Guide

As the DOLKPS1KB/DOLKPS1KB/DOLKSF1KB is powered, it will begin its booting process and beep for 1 minute. When the DOLKPS1KB is finished:

Enter Programming Mode and Add Users

- 1 * * NOTE:
Master Code Default Master Code 0000
(4-8 digits)
- 2 0 1 #
Master Code
(4-8 digits)
- 3 0 2 #
Output Number *User Number* *User Access Code*
(1, 2 or 3) (000-999) (4-8 digits)
- 4 * *

For User Access

- # NOTE:
User Access Code For User Access using a code only see
(4-8 digits) "Direct Access Programming with Code"
section

KEYPAD TONES AND THE LED SIGNALS

STATUS	TONES	LED SIGNALS
1. In programming mode		Solid Yellow
2. Successful key entry	1 Beep	1 Flash
3. Successful code entry	2 Beeps	2 Flashes
4. Unsuccessful code entry	5 Beeps	5 Flashes
5. Power-up delay	Continuous Beeps	Continuous Flashes
6. Output relay activation	1-second Beep	
7. Standby		1 flash every second
8. System refreshing		Quick flashes for 2.5 minutes
9. Pin already stored in system	Long Beep	

THE JUMPER FOR BACKLIT OPTIONS

Located on the upper-left corner; the two options are for full lights or auto lights.

1. Full backlit – The keypad constantly illuminates.
2. Auto backlit – The keypad only illuminates during use.

DIRECT ACCESS PROGRAMMING WITH CODE: 8080

If you have forgotten the master code there is still a way to enter programming mode. In order to do this you need to either have an egress button installed, or you need to simulate an egress button.

1. First you drop the power to the keypad for **one minute**.
2. You then power the keypad back up and **DURING the one minute of beeping** either push and hold down the egress button that has been installed or bridge a wire from the egress in **(terminal 9)** to the negative ground power **(terminal 15)**.

3. While you are either pushing the button or with the two terminals bridged, press

4. Immediately after pressing the second *the beeping should cease and the amber light should hold steady. At this point you are in programming mode. Immediately upon entering programming mode you need to create a *new master code*. This is accomplished by pressing

New Master Code
(4-8 digits)

RESET TO FACTORY SETTINGS WITH CODE: 9999

While in programming mode, enter:

- Allow up to 2.5 minutes for the keypad to reset. The yellow LED will indicate when the keypad has finished resetting
- Note: The current Master Code will not reset

4 Programming Chart

Feature	Code Entry	Comments
Begin Programming Mode (Solid Yellow)	Master Code * *	Set System into Programming Mode. The default Master Code is 0000. Note: All of the following commands must be keyed while in Programming Mode.
End Programming Mode	* *	Return to normal operation.
Set Master Code	01 Master Code # (4-8 digits)	Set your new Master Code.
Access Codes		
Record Access Codes (Output 1, 2, 3)	Output Number 02 (1, 2, or 3) User number (000-999) Access Code # (4-8 digits)	Set 4-8 digit code for general access. Each unique 4-8 digit code will require a new user number. Note: It is important to document your user numbers because users can be deleted and reassigned new codes for access.
Delete Access Codes (Output 1, 2, 3)	Output Number 05 (1, 2, or 3) User number # (000-999)	Delete the user and remove their Access Code.
Clear all Access Codes	Output Number (1, 2, or 3) 00999 #	Clear all Access Codes depending on which output relay accessed.
Visitor Codes (Output 1 only)		
Set a Visitor Code for one-time use	40 Visitor number 00 (01-50) Visitor Code # (4-8 digits)	The Visitor Code can only be used once until cleared.
Set a Visitor Code time limit	4 Visitor number (01-50) Hours Visitor Code (01-99) (4-8 digits)	The Visitor Code will be cleared after the set time limit.

Delete Visitor Code	40 Visitor number # (1-50)	Delete the visitor's code.
Clear all Visitor Codes	40 0999 #	Clear all Access Codes.
Lock Settings		
Set door unlock timer	5 Output number (1, 2 or 3) Seconds # (1-99999)	Set the amount of seconds the device will grant access before locking again.
Set Access Code to toggle [open/close]	5 Output number (1, 2 or 3) 0 #	Entering Access Code will toggle the lock to stay open. Entering the Access Code again will toggle back to lock.
Safety Settings		
Default safety setting	60 1 #	After 10 successive false codes, the keypad is disabled for 60 seconds
Duress safety setting	60 2 #	After 10 successive false codes, Duress is activated. Entering an Access Code /Authorization Code will disable the Duress Output.
Extended safety settings	60 Number of false entries (5-10) #	After 5-10 successive false codes, the keypad is disabled for 15 minutes or until the Authorization Code is entered.
Disable all safety settings	60 00 #	
Sound Settings		
All sounds - On	7 11 #	All sounds will be enabled
All sounds - Off	7 10 #	All sounds will be disabled
Access sound - 1 second buzz	7 21 #	Upon unlocking, the keypad will signal granted access with a 1-second buzz
Access sound - 2 short beeps	7 20 #	Upon unlocking, the keypad will signal granted access with 2 short beeps

Auto/Manual Code Entry Settings		
Auto Code Entry Mode	7 01 #	The # key after entering an access code will NOT be required. Important Note: For this feature to work, ALL codes must be the same number of digits as the master code. Ex. If the Master Code is 6-digits, all other codes must be the 6 digits to enable Auto Code Entry Mode.
Manual Code Entry Mode	7 02 #	The # key after entering an access code will be required but all codes may vary in digit length.
Blinking Yellow LED Settings		
Blinking Yellow LED - On	7 31 #	The amber LED will blink every 2 seconds during functionality

5 | Specifications

Operating Voltage:

12V-24V DC, Auto adjusting

Operating Current:

40mA (quiescent) to 100mA (three relays active)

Operation Temperature:

-4 F to +158 F

Environmental Humidity:

5-95% relative humidity non-condensing

Working Environment & Ingress Protection:

All weather, IP-66

Number of Users:

Output 1 – 1,000 User PINs + 50 Duress Codes

Output 2 – 100 User PINs + 10 Duress Codes

Output 3 – 100 User PINs + 10 Duress Codes

Number of Visitor Codes:

50, programmable for one time or with the time limit

Timings for Code Entry:

10 seconds waiting for next digit entry

The Timers:

Three 1-99,999 Seconds (Over 24 Hours possible) Independent Programmable Timers for O/P 1, 2 & 3

Egress Button:

Programmable for Instant, Delay with Warning and/or Alarm
Momentary or Holding Contact for the Exit Delay

Input Sensing Terminals:

a) Door position, **b)** Egress, **c)** O/P 1 inhibit

Output Control Terminals:

Transistor Open Collector 24VDC/100mA sink Max for the following outputs

a) Duress, **b)** Alarm, **c)** Key Active, **d)** Output 3 (Door Bell version only), **e)** Inter-lock

Output Contact Ratings:

Output Relay 1 – N.C. & N.O. dry contacts, 5A/24VDC Max.

Output Relay 2 – N.C. & N.O. dry contacts, 1A/24VDC Max.

Output Relay 3 – N.C. & N.O. dry contacts, 1A/24VDC Max.
(N.O. contact only for Door Bell version)

Tamper Switch – N.C. dry contact, 50mA/24VDC Max.

Specifications are subject to change for modification without notice

TRANSMITTER SOLUTIONS WARRANTY

The warranty period of this product is 12 months from the purchasing date. During this period, if the product does not operate correctly due to a defective component, the product will be repaired or replaced at the sole discretion of Transmitter Solutions. This warranty does not extend to the product's casing, which can be damaged by conditions outside of the control of Transmitter Solutions.

EXCEPT AS SET FORTH ABOVE, TRANSMITTER SOLUTIONS MAKES NO WARRANTIES REGARDING THE GOODS, EXPRESS OR IMPLIED, INCLUDING WARRANTY OF MERCHANTABILITY OR WARRANTY OF FITNESS FOR A PARTICULAR PURPOSE. BUYER MAKES NO RELIANCE ON ANY REPRESENTATION OF TRANSMITTER SOLUTIONS, EXPRESS OR IMPLIED, WITH REGARD TO THE GOODS AND ACCEPTS THEM "AS-IS/WHERE-IS". TRANSMITTER SOLUTIONS SELLS THE GOODS TO BUYER ON CONDITION THAT TRANSMITTER SOLUTIONS WILL HAVE NO LIABILITY OF ANY KIND AS A RESULT OF THE SALE. BUYER AGREES THAT TRANSMITTER SOLUTIONS SHALL HAVE NO LIABILITY FOR DAMAGES OF ANY KIND, WHETHER DIRECT, INCIDENTAL OR CONSEQUENTIAL DAMAGES, INCLUDING INJURIES TO PERSONS OR PROPERTY, TO BUYER, ITS EMPLOYEES OR AGENTS, AS A RESULT OF THE SALE. BUYER ALSO AGREES TO HOLD TRANSMITTER SOLUTIONS HARMLESS FROM ANY CLAIMS BUYER, OR ANY THIRD PARTY, MAY HAVE AS A RESULT OF BUYER'S USE OR DISPOSAL OF THE GOODS. BUYER HAS READ THIS DISCLAIMER AND AGREES WITH ITS TERMS IN CONSIDERATION OF RECEIVING THE GOODS.



7380 S. Eastern Ave, Suite 124-320 • Las Vegas, NV 89123
(866) 975-0101 • (866) 975-0404 fax
www.transmittersolutions.com



DOLKPL1KB User Log

User ID Slot #	User Name	Relay Output	User Pin #
000			
001			
002			
003			
004			
005			
006			
007			
008			
009			
010			
011			
012			
013			
014			
015			
016			
017			
018			
019			
020			
021			
022			
023			
024			
025			
026			
027			
028			
029			
030			
031			
032			
033			
034			
035			
036			
037			

038			
039			
040			
041			
042			
043			
044			
045			
046			
047			
048			
049			
050			
051			
052			
053			
054			
055			
056			
057			
058			
059			
060			
061			
062			
063			
064			
065			
066			
067			
068			
069			
070			
071			
072			
073			
074			
075			
076			
077			
078			
079			
080			
081			
082			
083			
084			

085			
086			
087			
088			
089			
090			
091			
092			
093			
094			
095			
096			
097			
098			
099			
100			
101			
102			
103			
104			
105			
106			
107			
108			
109			
110			
111			
112			
113			
114			
115			
116			
117			
118			
119			
120			
121			
122			
123			
124			
125			
126			
127			
128			
129			
130			
131			

132			
133			
134			
135			
136			
137			
138			
139			
140			
141			
142			
143			
144			
145			
146			
147			
148			
149			
150			
151			
152			
153			
154			
155			
156			
157			
158			
159			
160			
161			
162			
163			
164			
165			
166			
167			
168			
169			
170			
171			
172			
173			
174			
175			
176			
177			
178			

179			
180			
181			
182			
183			
184			
185			
186			
187			
188			
189			
190			
191			
192			
193			
194			
195			
196			
197			
198			
199			
200			
201			
202			
203			
204			
205			
206			
207			
208			
209			
210			
211			
212			
213			
214			
215			
216			
217			
218			
219			
220			
221			
222			
223			
224			
225			

226			
227			
228			
229			
230			
231			
232			
233			
234			
235			
236			
237			
238			
239			
240			
241			
242			
243			
244			
245			
246			
247			
248			
249			
250			
251			
252			
253			
254			
255			
256			
257			
258			
259			
260			
261			
262			
263			
264			
265			
266			
267			
268			
269			
270			
271			
272			

273			
274			
275			
276			
277			
278			
279			
280			
281			
282			
283			
284			
285			
286			
287			
288			
289			
290			
291			
292			
293			
294			
295			
296			
297			
298			
299			
300			
301			
302			
303			
304			
305			
306			
307			
308			
309			
310			
311			
312			
313			
314			
315			
316			
317			
318			
319			

320			
321			
322			
323			
324			
325			
326			
327			
328			
329			
330			
331			
332			
333			
334			
335			
336			
337			
338			
339			
340			
341			
342			
343			
344			
345			
346			
347			
348			
349			
350			
351			
352			
353			
354			
355			
356			
357			
358			
359			
360			
361			
362			
363			
364			
365			
366			

367			
368			
369			
370			
371			
372			
373			
374			
375			
376			
377			
378			
379			
380			
381			
382			
383			
384			
385			
386			
387			
388			
389			
390			
391			
392			
393			
394			
395			
396			
397			
398			
399			
400			
401			
402			
403			
404			
405			
406			
407			
408			
409			
410			
411			
412			
413			

414			
415			
416			
417			
418			
419			
420			
421			
422			
423			
424			
425			
426			
427			
428			
429			
430			
431			
432			
433			
434			
435			
436			
437			
438			
439			
440			
441			
442			
443			
444			
445			
446			
447			
448			
449			
450			
451			
452			
453			
454			
455			
456			
457			
458			
459			
460			

461			
462			
463			
464			
465			
466			
467			
468			
469			
470			
471			
472			
473			
474			
475			
476			
477			
478			
479			
480			
481			
482			
483			
484			
485			
486			
487			
488			
489			
490			
491			
492			
493			
494			
495			
496			
497			
498			
499			
500			
501			
502			
503			
504			
505			
506			
507			

508			
509			
510			
511			
512			
513			
514			
515			
516			
517			
518			
519			
520			
521			
522			
523			
524			
525			
526			
527			
528			
529			
530			
531			
532			
533			
534			
535			
536			
537			
538			
539			
540			
541			
542			
543			
544			
545			
546			
547			
548			
549			
550			
551			
552			
553			
554			

555			
556			
557			
558			
559			
560			
561			
562			
563			
564			
565			
566			
567			
568			
569			
570			
571			
572			
573			
574			
575			
576			
577			
578			
579			
580			
581			
582			
583			
584			
585			
586			
587			
588			
589			
590			
591			
592			
593			
594			
595			
596			
597			
598			
599			
600			
601			

602			
603			
604			
605			
606			
607			
608			
609			
610			
611			
612			
613			
614			
615			
616			
617			
618			
619			
620			
621			
622			
623			
624			
625			
626			
627			
628			
629			
630			
631			
632			
633			
634			
635			
636			
637			
638			
639			
640			
641			
642			
643			
644			
645			
646			
647			
648			

649			
650			
651			
652			
653			
654			
655			
656			
657			
658			
659			
660			
661			
662			
663			
664			
665			
666			
667			
668			
669			
670			
671			
672			
673			
674			
675			
676			
677			
678			
679			
680			
681			
682			
683			
684			
685			
686			
687			
688			
689			
690			
691			
692			
693			
694			
695			

696			
697			
698			
699			
700			
701			
702			
703			
704			
705			
706			
707			
708			
709			
710			
711			
712			
713			
714			
715			
716			
717			
718			
719			
720			
721			
722			
723			
724			
725			
726			
727			
728			
729			
730			
731			
732			
733			
734			
735			
736			
737			
738			
739			
740			
741			
742			

743			
744			
745			
746			
747			
748			
749			
750			
751			
752			
753			
754			
755			
756			
757			
758			
759			
760			
761			
762			
763			
764			
765			
766			
767			
768			
769			
770			
771			
772			
773			
774			
775			
776			
777			
778			
779			
780			
781			
782			
783			
784			
785			
786			
787			
788			
789			

790			
791			
792			
793			
794			
795			
796			
797			
798			
799			
800			
801			
802			
803			
804			
805			
806			
807			
808			
809			
810			
811			
812			
813			
814			
815			
816			
817			
818			
819			
820			
821			
822			
823			
824			
825			
826			
827			
828			
829			
830			
831			
832			
833			
834			
835			
836			

837			
838			
839			
840			
841			
842			
843			
844			
845			
846			
847			
848			
849			
850			
851			
852			
853			
854			
855			
856			
857			
858			
859			
860			
861			
862			
863			
864			
865			
866			
867			
868			
869			
870			
871			
872			
873			
874			
875			
876			
877			
878			
879			
880			
881			
882			
883			

884			
885			
886			
887			
888			
889			
890			
891			
892			
893			
894			
895			
896			
897			
898			
899			
900			
901			
902			
903			
904			
905			
906			
907			
908			
909			
910			
911			
912			
913			
914			
915			
916			
917			
918			
919			
920			
921			
922			
923			
924			
925			
926			
927			
928			
929			
930			

931			
932			
933			
934			
935			
936			
937			
938			
939			
940			
941			
942			
943			
944			
945			
946			
947			
948			
949			
950			
951			
952			
953			
954			
955			
956			
957			
958			
959			
960			
961			
962			
963			
964			
965			
966			
967			
968			
969			
970			
971			
972			
973			
974			
975			
976			
977			

978			
979			
980			
981			
982			
983			
984			
985			
986			
987			
988			
989			
990			
991			
992			
993			
994			
995			
996			
997			
998			
999			