

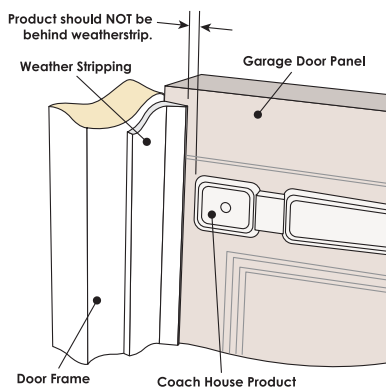
Installing Your Decorative Hardware

INSTALLATION PROCEDURE:

1. Verify that your Coach House Accents® products will fit properly on your garage door. (For more information, please refer to our website.)
2. Your garage door should be completely closed while installing this product to ensure proper alignment.

To install Decorative Hinges:

3. Position the hinges in the center of the horizontal surface of the garage door panel as shown below. Use a level to ensure that the mounting holes line up properly. Also be sure that the edge of the hinge does not interfere with the weatherstripping at the edge of the garage door opening.



4. Drill 1/8-inch pilot holes into the door panel using the mounting holes in the hinge as a guide.
5. Fasten the hinges with the stainless-steel screws provided with your hardware kit.

Repeat this process for your other three hinges.

To install Decorative Handles:

6. First, measure the center vertical panel of your garage door to see if two handles will fit side-by-side. (All kits come with two handles.) If this surface measures 7" wide or more, you can position the pair carefully within that section. If not, center a single handle on the vertical surface as shown below.
7. Drill 1/8-inch pilot holes into the door panel using the mounting holes in the handles as a guide.
8. Fasten the handles with the stainless-steel screws provided with your hardware kit.

Repeat this process for the second handle.

NOTE: ALWAYS MEASURE YOUR DOOR PANEL BEFORE YOU START TO BE SURE!

Manufacturers may change stamping sizes due to model and design changes. Coach House Accents® cannot be responsible for these changes.

Lacks Home Products LLC
4245 52nd St. SE • Kentwood, MI 49512
PH: 800-351-9776 • www.coachhouseaccents.com



Your Hardware Kit includes:

- 2 Handles + 4 Hinges
- 20 Phillips-head 1 1/2" screws
- Installation Instructions

Tools required for installation:

- Electric drill with 1/8" drill bit
- Phillips Screwdriver
- Tape Measure
- Level
- Step stool or ladder

