

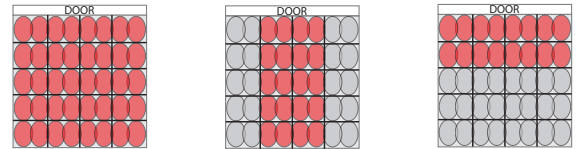


PROTECT

YOUR CAPITAL INVESTMENT



WITH BEA'S IS40/IS40XL INDUSTRIAL SENSORS



▶ PROVEN TECHNOLOGIES

Active infrared and microwave technologies work together to provide accurate presence and motion detection in front of the door.

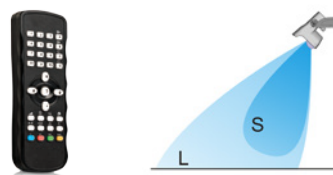
▶ SUPERIOR COVERAGE

The IS40 provides 40 points of detection which can be configured in multiple pattern sizes and multiple heights.



▶ DURABILITY FOR TOUGH ENVIRONMENTS

The accurate directional motion detection helps to improve traffic flow and reduce door cycles while the infrared pattern provides protection for the door and surrounding area. This includes a weatherproof (NEMA 4) housing for use indoors and outdoors.

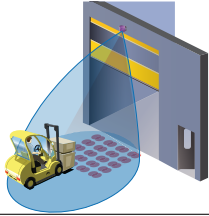


▶ MINIMAL INSTALLATION & MAINTENANCE

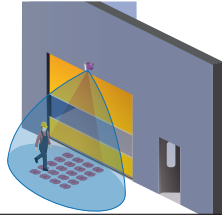
The IS40 replaces labor intensive inductive loops with an easy-to-mount overhead installation. All adjustments are made using BEA's standard remote control from the ground.

APPLICATIONS

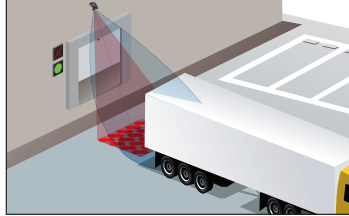
IS40: INDUSTRIAL MOUNTING HEIGHTS



IS40XL: LOWER MOUNTING HEIGHTS



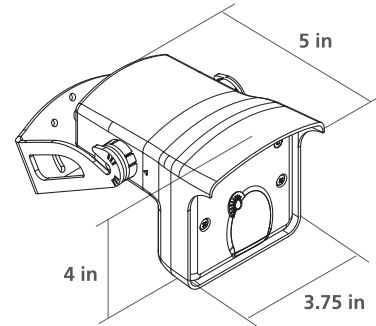
40 IR SPOTS ACCURATELY TRIGGER SIGNALS



TECHNICAL SPECIFICATIONS

Technology	Microwave Doppler Radar	Active Infrared
LED Signal	Green (Activation Relay)	Red (Presence Relay)
Transmitter Frequency / Wavelength	24.150 GHz	875 nm
Transmitter Power Density	< 5 mW / cm ²	< 250 mW / m ²
Detection Mode	Motion	Presence
Max. Detection Field	IS40 156 in x 198 in	120 in x 120 in
	IS40XL 156 in x 78 in	90 in x 90 in
Output Hold Time	0.5 s – 9 s	0.5 s
Min. Detection Speed	2 in/s in sensor axis	0 in/s
Tilt Angle	-8° – 22° (Relative to sensor face)	15° – 45°
Supply Voltage	12 – 24 VAC ±10% 12 – 24 VDC +10% / -3%	
Mains Frequency	50 – 60 Hz	
Power Consumption	< 3.5 W	
Relay Output	2 relays (free of potential change-over contact)	
Max. Contact Voltage	42 VAC / VDC	
Max. Contact Current	1 A (resistive)	
Max. Switching Power	30 W (DC) / 48 VA (AC)	
Installation Height	IS40 96 in – 192 in (8 ft – 16 ft)	
	IS40XL 78 in – 138 in (6.5 – 11.5 ft)	
Temperature Range	-22 °F – 140 °F	
Dimensions	3.75 in (W) x 4 in (H) x 5 in (D)	
Materials	ABS & Polycarbonate	
Cable Length	360 in (30 ft)	
Degree of Protection	NEMA 4 / IP65	
Norm Conformance	R&TTE: 1999 / 5 / EC; EMC 2004 / 108 / EEC	

DIMENSIONAL DRAWINGS



RELATED PRODUCTS



10IS40
MOTION & PRESENCE
SENSOR



10IS40XL
EXTRA-LOW MOTION
& PRESENCE SENSOR



10IS40P
PRESENCE SENSOR



10INDBRACKET
INDUSTRIAL
MOUNTING BRACKET



10MINIBRACKET
SHORT ADJUSTABLE
MOUNTING BRACKET



10SPOTFINDER
INFRARED
SPOTFINDER



10REMOTE
BEA UNIVERSAL
REMOTE CONTROL

