

# LARGE SEALS

## LARGE ALUMINUM RETAINERS

For oversized applications such as rolling steel and hangar doors, or for situations where excessive gaps occur. They are designed to accommodate our Large Brush Seals (see page 7) or Large Rubber Seal (see page 7).

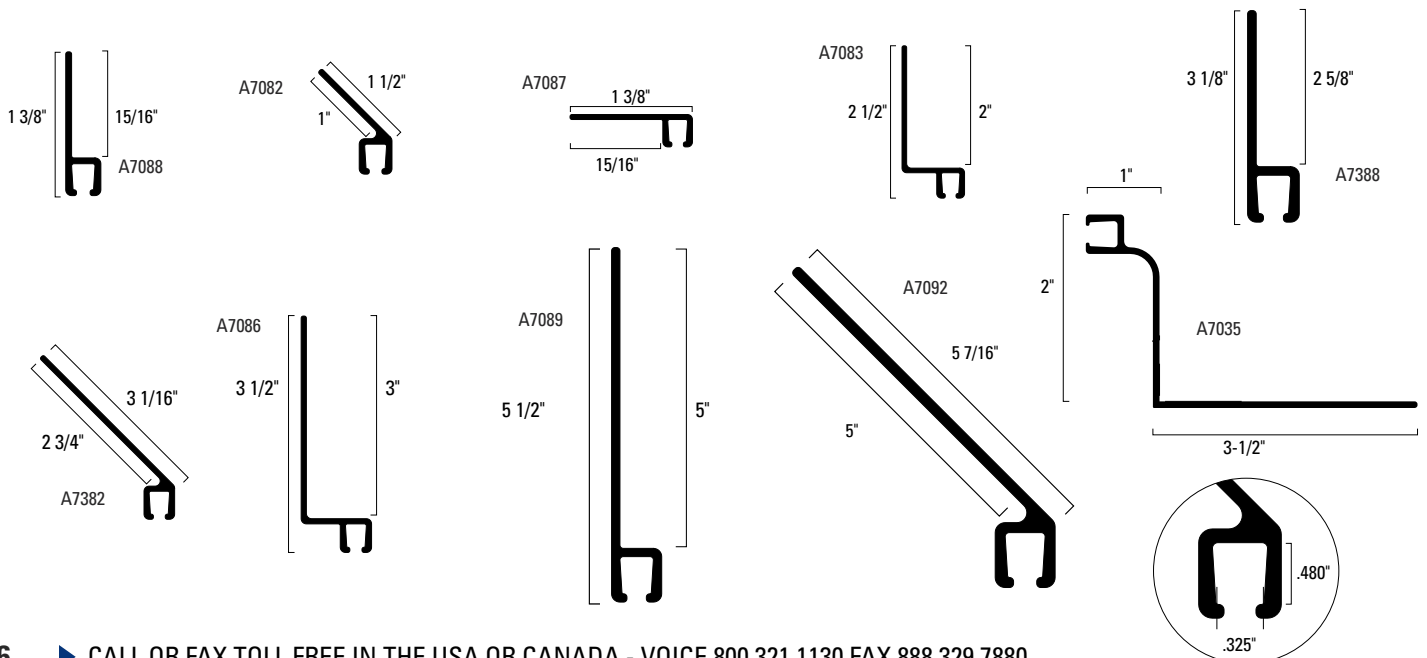
STANDARD MILL LENGTHS: 8'-2", 9'-2", 10'-2", 12'-4", 14'-4", 16'-4", 18'-4"

PART NUMBER	COLOR
<b>1" STR</b>	
A7088-MI-W	Mill
<b>1" 45°</b>	
A7082-MI-W	Mill
<b>1" 90°</b>	
A7087-MI-W	Mill
<b>2" OFFSET</b>	
A7083-MI-W	Mill
<b>3" STR</b>	
A7388-MI-W	Mill
<b>3" 45°</b>	
A7382-MI-W	Mill
<b>3" OFFSET</b>	
A7086-MI-W	Mill
<b>5 1/2" STR</b>	
A7089-MI-W	Mill
<b>5 1/2" 45°</b>	
A7092-MI-W	Mill

## ROLLING STEEL "Z" HEADER SEAL RETAINER

16'-4", 18'-4" ONLY

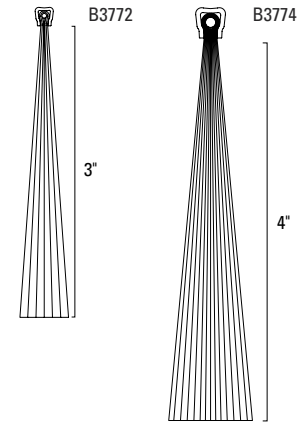
PART NUMBER	COLOR
A7035-MI-W	Mill



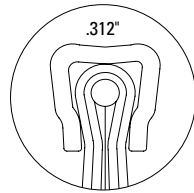


## LARGE BRUSH SEALS

Oversized polypropylene brushes are designed to fit our Large Aluminum Retainers (see page 6) and possess the same high-quality properties as our standard brushes. STANDARD LENGTHS: 6', 7', 8', 9', 10'.



PART NUMBER	BRISTLE
<b>LARGE</b>	
B3768-00-W	1"
B3771-00-W	2"
B3772-00-W	3"
B3774-00-W	4"
B3775-00-W	5"
B3776-00-W	6"



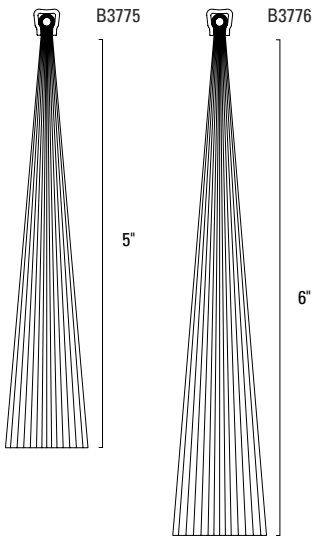
### GASKETING MATERIALS FOR FIRE DOORS

Classified to U.S. and Canadian standards by Underwriters Laboratories Inc. for application to hollow metal, steel covered composite, rolling steel and passenger elevator type fire doors rated up to three hours only. GVWZ.RI8008. Softening Point: 240°F, Melting Point: 320°F



## LARGE FLEX BRUSH

Convenient, affordable Flex Brush to fit our large retainers. Available in 8' length.

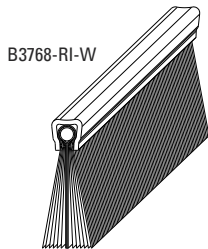


PART NUMBER	DESCRIPTION
<b>LARGE</b>	
B3772-PP-W-8	3" Large Polypropylene Brush, 8' L.
B3775-PP-W-8	5" Large Polypropylene Brush, 8' L.
B3776-PP-W-8	6" Large Polypropylene Brush, 8' L.
B4711-FL-W-8	11" Large Polypropylene Brush, 8' L.

## WEATHERBLOCK WEATHERSEAL

Action Industries' large weatherblock weatherseal ensures a secure seal and barrier against smoke, air infiltration and extreme weather. A single durable EPDM rubber insert provides an excellent seal. Fits all Large Aluminum Retainers (see page 6). Standard Lengths: 8', 10'.

**weatherBLOCK**  
WEATHERSEAL

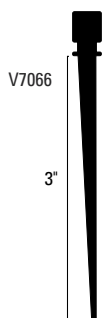


PART NUMBER	DESCRIPTION
<b>LARGE BRUSH WEATHERSEAL</b>	
B3768-RI-W	Large 1" Brush
B3771-RI-W	Large 2" Brush
B3772-RI-W	Large 3" Brush

## LARGE RUBBER SEAL

EPDM synthetic rubber insert is specially designed for applications where extreme temperature changes (-50° – 350° F) may occur. Fits all Large Aluminum Retainers (see page 6).

STANDARD LENGTH: 100' ROLLS



PART NUMBER	DESCRIPTION
V7066-00-W	3" Black

▶ VISIT US ONLINE [WWW.ACTION-IND.COM](http://WWW.ACTION-IND.COM)