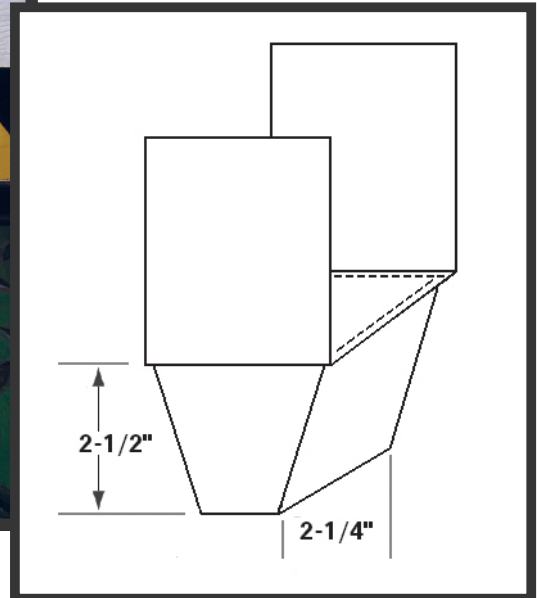


# DOCK WEDGE

New from Action Industries, The Dock Wedge is designed to fill the gap between the overhead door, the dock leveler, and the floor. Made of a tear-resistant material and filled with foam, this additional protection against the elements is easy to install with ordinary fasteners.

**NEW!**



<u>PART NUMBER</u>	<u>DESCRIPTION</u>
DKW02-00-W	Dock Wedge

**CONTACT YOUR ACTION INDUSTRIES SALES REPRESENTATIVE FOR MORE INFORMATION.**

**DEMAND ACTION! WEATHERSEALS, HARDWARE AND ACCESSORIES FOR THE GARAGE DOOR INDUSTRY**

12625 BEREA RD. CLEVELAND, OH 44111

7815 SOUTH HARDY DR. TEMPE, AZ 85284

P: 800.321.1130

WWW.ACTION-IND.COM

F: 888.329.7880